

Wall exhaust with drainage

- Drainage to prevent moisture on the facade

AVAILABLE MODELS

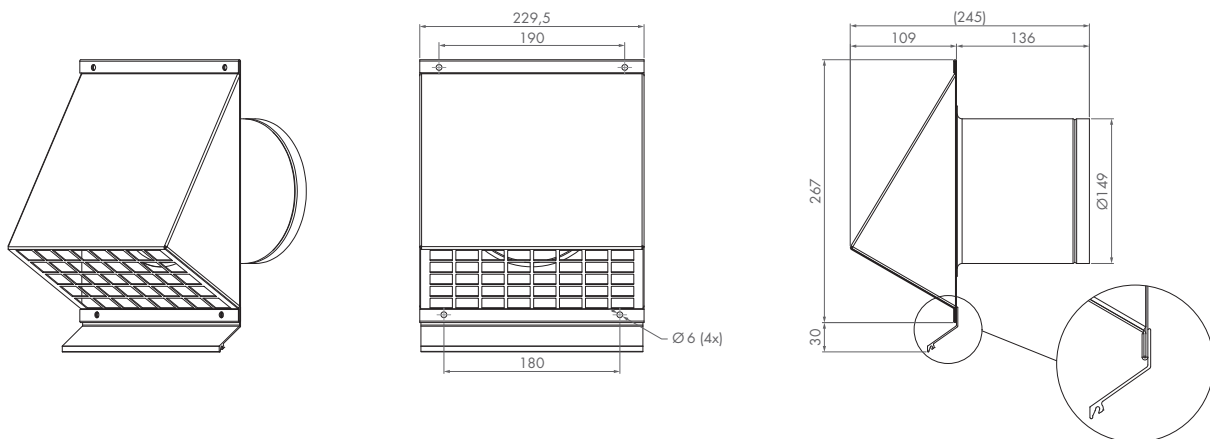
According to the available colors of the grid:

- Black [76050001]
- White [76050002]



DIMENSIONS

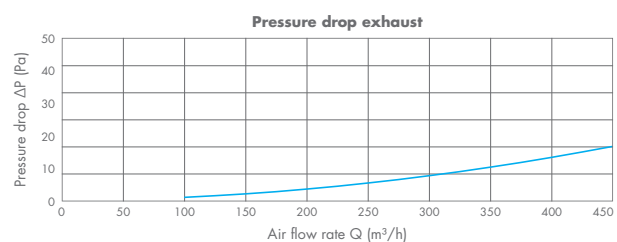
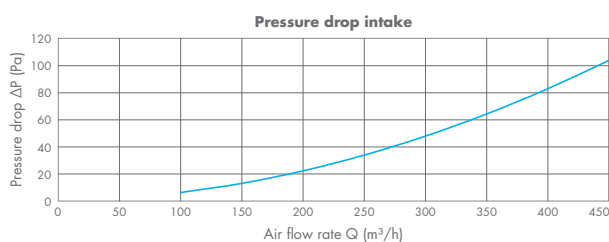
Base of the exhaust: 230 x 267 mm
Depth of the exhaust: 109 mm
Diameter: Ø 150 mm



PRESSURE DROP - FLOW

INTAKE	
Q [m³/h]	Δp [Pa]
100	5,7
150	12,5
200	21,7
250	33,4
300	47,4
350	63,7
400	82,3
450	103,3

EXHAUST	
Q [m³/h]	Δp [Pa]
100	2,2
150	4,8
200	8,3
250	12,8
300	18,2
350	24,5
400	31,7
450	39,8



Wall exhaust with drainage

- Drainage to prevent moisture on the facade

AVAILABLE MODELS

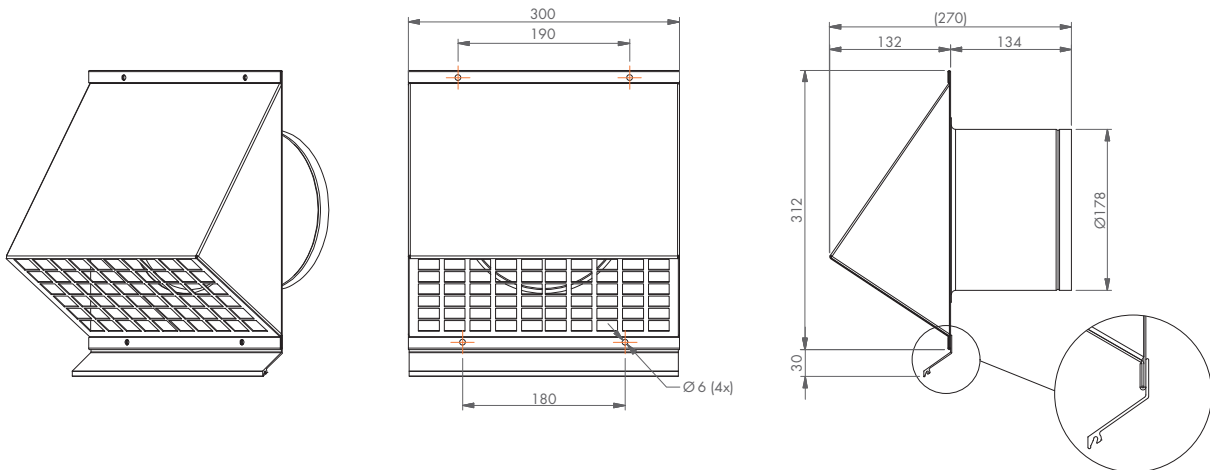
According to the available colors of the grid:

- Black [76050003]
- White [76050004]



DIMENSIONS

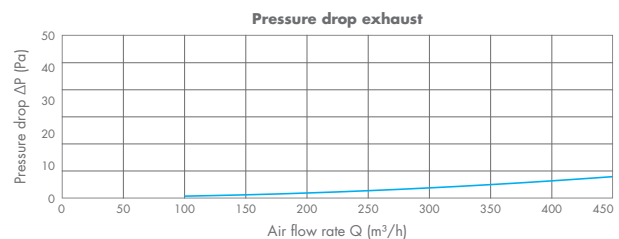
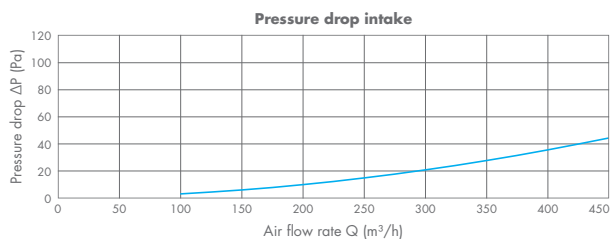
Base of the exhaust: 300 x 312 mm
 Depth of the exhaust: 132 mm
 Diameter: Ø 180 mm



PRESSURE DROP - FLOW

INTAKE	
Q [m³/h]	Δp [Pa]
100	2,5
150	5,4
200	9,4
250	14,3
300	20,2
350	27,1
400	35,0
450	43,8

EXHAUST	
Q [m³/h]	Δp [Pa]
100	0,8
150	1,8
200	3,2
250	4,9
300	6,9
350	9,3
400	12,1
450	15,2



The plenum of the wall exhaust is attached to the grid.

AVAILABLE MODELS

According to the available colors of the grid:

- Satin anodised [20 micron] [66114053]
- White RAL 9010 [66614053]
- Brown RAL 8019 [66714053]

DIMENSIONS

Base of the plenum:	286 x 286 mm
Height of the plenum:	78,6 mm
Grid:	325 x 325 mm
Inside diameter:	Ø 150 mm
Outside diameter:	Ø 157 mm
Structural dimension [fitting dimensions]:	300 x 300 mm provide clips for attachment

No insect mesh

PRESSURE DROP - FLOW (when used as exhaust)

Δp [Pa]	Q [m ³ /h]
3,8	125
9,3	200
19,8	300
26,5	350
34,1	400
51,8	500
72,9	600



Grille and plenum

