

PRODUCTSHEET LINEO FIX



Table of contents

DESCRIPTION	3
APPLICABILITY	3
USP	4
TECHNICAL DATA.....	4
RESTRICTIONS	4
STANDARD CONFIGURATION	5
POSSIBILITIES	6

DESCRIPTION

Fixed non-rotating blade for attaching additional accessories to a bladed roof. The Lineo Fix replaces a standard rotating blade. Possible attachment of heating, sound, electricity, light, fan... (not supplied by Renson)

APPLICABILITY

Camargue	✓
Camargue Skye	-
Algarve	✓
Algarve Canvas	-
Aero	✓
Aero Canvas	-
Aero Skye	-
Lapure	-

Backorders*	✓
-------------	---

** Only possible for Camargue.*

USP

- Invisible when the roof is closed.
- Installation of lighting fixtures, fans, heaters, etc. at any location in the rotatable bladed roof
- Invisible integration of the electrical connection cables

TECHNICAL DATA

Technical data

Features	
Height of the blade	80 mm
Max. span	4500 mm
Max. weight	12.5 kg/Lineo Fix
Opening of the cable grommet	Ø 12mm
Testing en certification	
Wind guarantee	Up to 120 km/u

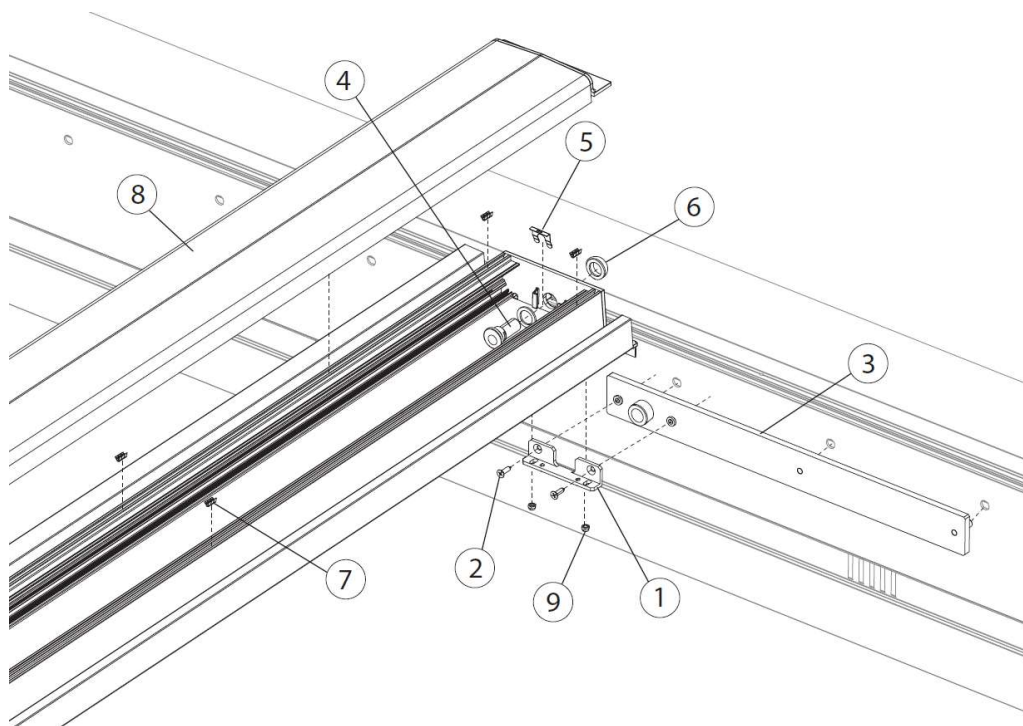
RESTRICTIONS

- Maximum load 12.5 kg per Lineo Fix. If the load you are fixing is lower, the weights provided can be used to increase the total load to 12,5 kg.
- The Lineo Fix replaces a standard roof blade. On a Camargue, it cannot be installed in the place of the motor blade.
- Backorders are only possible with Camargue. An existing aluminium blade must be replaced by the Lineo Fix fixed blade.
- Lineo Fix cannot be used in combination with Wooddesign.

STANDARD CONFIGURATION

Contents:

- 1 fixed blade, consisting of lower and upper cover, clips...
- 2 fixing brackets & accessories
- Shaft and circlips for cable entry or sealing plugs
- Additional weights to increase the total load to 12.5 kg



1. Fixing bracket
2. DIN 7982 CH-St 4.8x19
3. Drilling jig Camargue
4. Shaft + seal
5. Clip spring
6. Sealing plug
7. Schüco clips
8. Cover
9. Lock nut M8

POSSIBILITIES

FIXATION

Possibilities – Algarve/Aero

Max. 3 Lineo Fix per roof

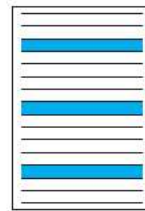
The position of the Lineo Fix is predefined for Algarve / Aero:



1 Lineo Fix
on $\frac{1}{2}$



2 Lineo Fix
on $\frac{1}{3}$ and $\frac{2}{3}$



3 Lineo Fix
on $\frac{1}{4}$, $\frac{1}{2}$ and $\frac{3}{4}$

In combination with Lineo Led: max. 3 blades in total per Algarve



— Lineo Fix
— Lineo Led

FIXATION

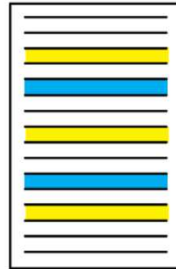
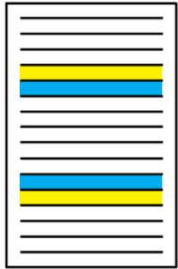
Possibilities - Camargue

Max. 3 Lineo Fix for pivot up to 6 m or max. 4 Lineo Fix for pivot > 6 m.

The position of the Lineo Fix is freely selectable. The fixing holes must be drilled on site.

A drilling jig is available for this purpose (optional).

In combination with Lineo Led: maximum 5 Lineo blades per Camargue, of which max. 3 Lineo Fix for pivot up to 6 m or max. 4 Lineo Fix for pivot > 6 m



■ Lineo Fix
■ Lineo Led