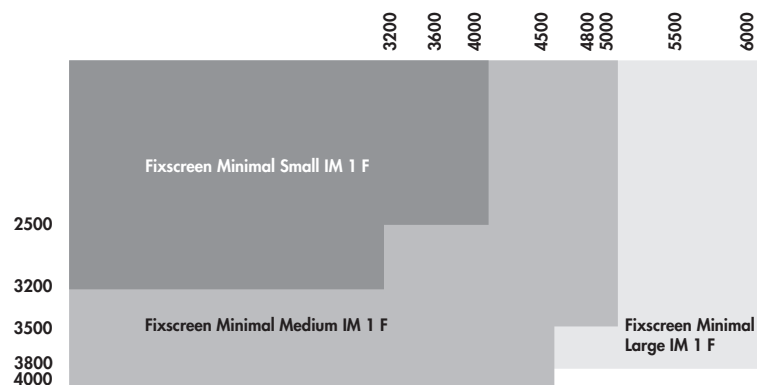


TECHNICAL DATA

	Large
Design	
Box size (H x D)	140 x 130 mm
Square	✓
Bottom bar retractable	-
Wind resistance	
Wind class EN13561:2004	3
Guaranteed wind resistance	Up to 100 km/h in closed position
Control	
Detecto Renson motor Safety First	✓
Somfy io motor	✓

DIMENSIONS

		Large	
Dimensions single screen			
Glass fibre fabric Sergé / Natté / Privacy	Min. width Somfy io	900 mm	
	Min. width Detecto	670 mm	
	Max. width	4500 mm	6000 mm
	Max. height	4000 mm	3800 mm
	Max. surface	18 m ²	22,8 m ²



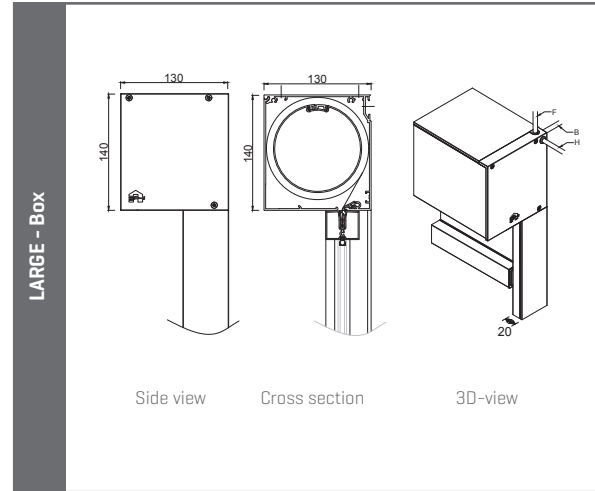
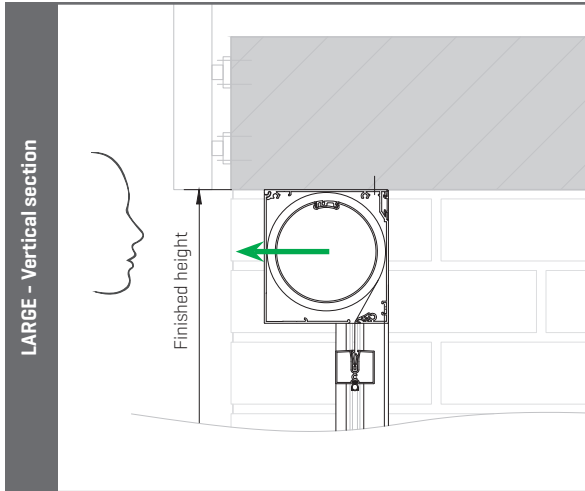
Note:

- Screens are always motorized.
- L head box - Mandatory fixation on the sides, supplementary fixation in the middle from 3600 mm width onwards.

DURABILITY

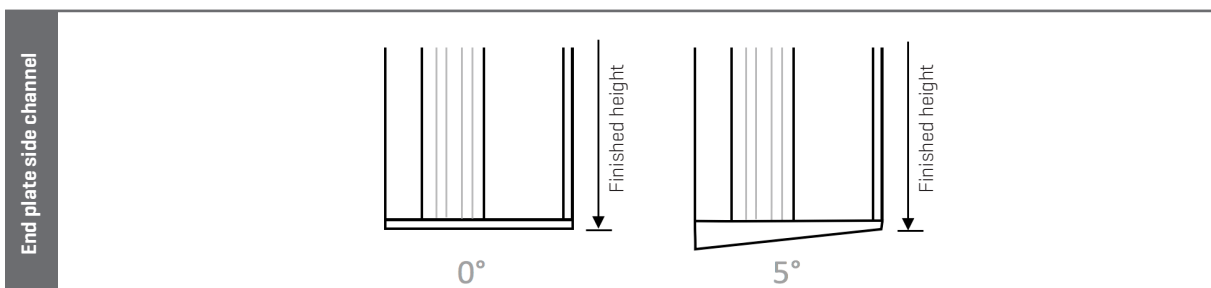
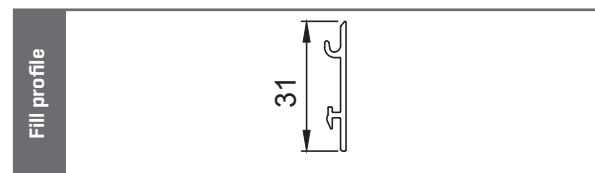
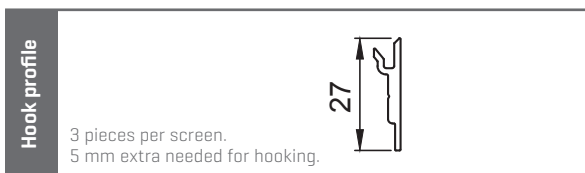
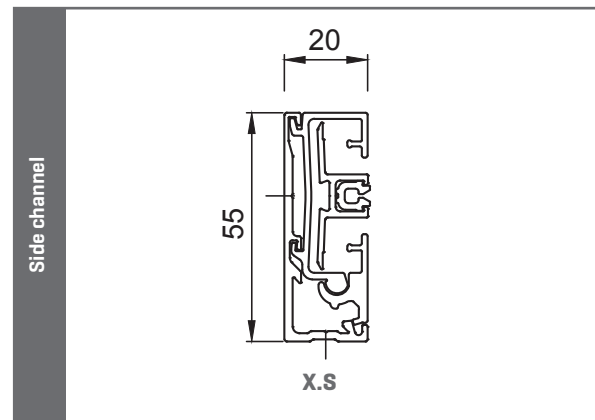
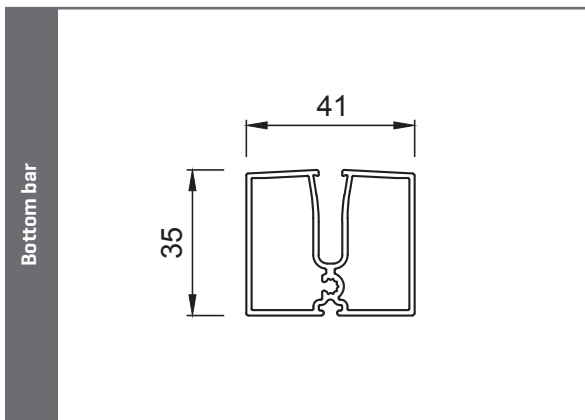
Technology	
Fixscreen-technology	✓
Smooth-technology	✓
Renewed Connect&Go-technology	✓
Click&Safe-technology	✓
Certificates	
Declaration of Performance [DoP]	DOP-2016SC00006
Wind tunnel test report	WTT17-003
Warranty	
10 year warranty on coating of aluminium profiles	✓
5 year warranty on Fixscreen Technology	✓
7-year warranty on Detecto Renson motor Safety First	✓
5-year warranty for electronic controls [motor & automation]	✓
5-year product warranty	✓
5-year warranty on fabric collection	✓
5-year warranty on gloss level	✓

TECHNICAL DRAWINGS

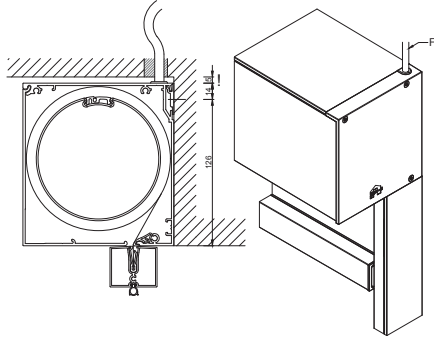


Viewing direction determines selection option cable feed left or right

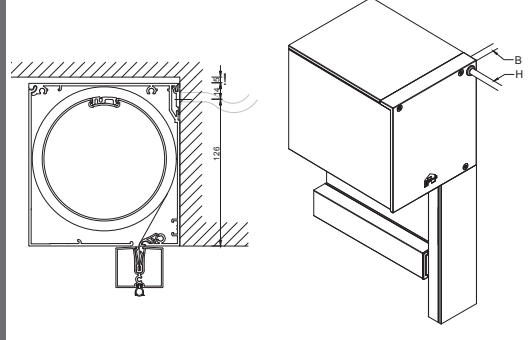
← Direction removable fabric roller



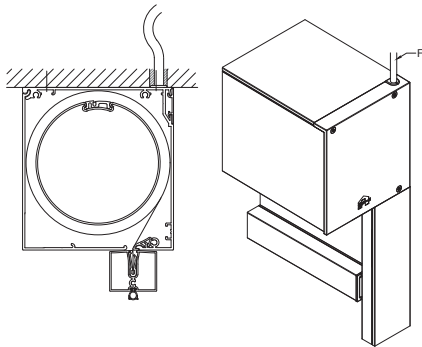
Cable passage F with hook profile



Cable passage B/H with hook profile



Cable passage F with fill profile



Cable passage B/H with fill profile

